

**BS3182**

**2x6W DC24V double head outdoor Garden Bollard**



**Description**

Landscape lighting;  
Add-on modular luminaire modules;  
Add on base or spike available;  
IP65 IK08;

**Finish**  
Black/White/Bronze

**Material**  
Aluminium



**TECHNICAL CHARACTERISTICS**

**Light source**

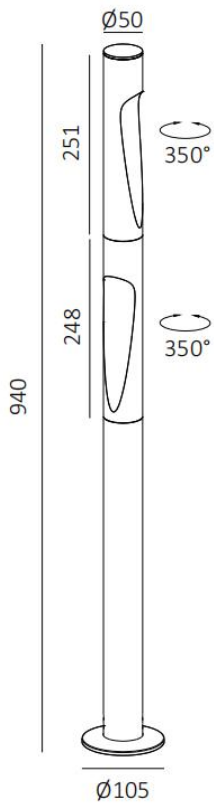
Light source:Luminus CXM-6  
Output (W): (150mA 36V) 5.4W  
Total power consumption (W): 2x6.5W  
Color temperature:2700K/3000K/4000K  
CRI: 90  
Photobiological risk: RG1  
Real Lumen: 240lm  
Qty Leds: 2  
Lm/Real W: 25  
Life Time: 50.000h L80B20  
MacAdam steps: 3  
UGR: 14

**Gear**

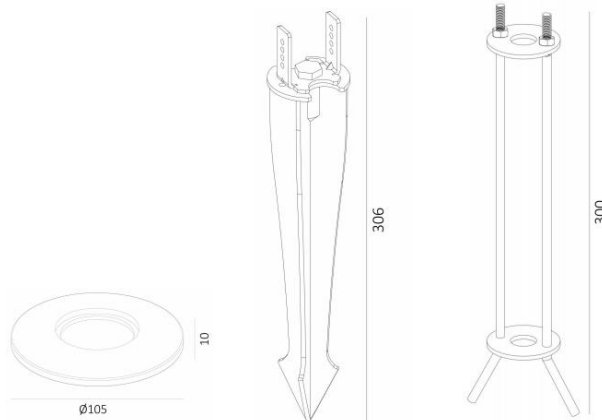
This product is supplied with gear

**Luminaire**

IP65 for outdoor purpose  
crossing: No  
Warranty: 5 Years



**ACCESSORIES**



Add-on base

Spike

Concrete Kit

The photograph may not match the reference exactly. Please read the product description to identify the finish.